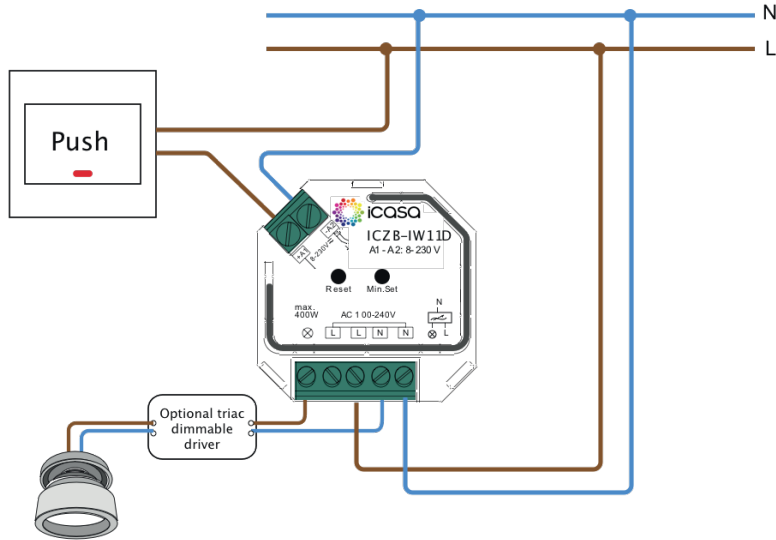


# ICZB-IW11D Zigbee 3.0 AC dimmer



**Important: Read all instructions prior to installation**

Function introduction



## Product Data:

Input Voltage	Output Voltage	Output Current	Size(LxWxH)
100-240VAC	100-240VAC	1.5A max	45.5x45x20.3mm

Compatible Load			
Load Symbol	Load Type	Maximum Load	Remarks
	Dimmable LED lamps	200W @ 220V 100W @ 110V	Due to variety of LED lamp designs, maximum number of LED lamps is further dependent on power factor result when connected to dimmer.
	Dimmable LED drivers	200W @ 220V 100W @ 110V	Maximum permitted number of drivers is 200W divided by driver nameplate power rating.
	Incandescent lighting, HV Halogen lamps	400W @ 220V 200W @ 110V	
	Low voltage halogen lighting with electronic transformers	200W @ 220V 100W @ 110V	

# ZigBee AC phase cut dimmer based on latest ZigBee 3.0 protocol

- ZigBee dimmer with Touchlink commissioning support
- Compatible with universal ZigBee gateways and remotes (check our website for compatibility overview)
- Each dimmer can be controlled by up to 30 ZigBee remotes or keypads.
- Easy to be Installed into a standard 86\*86mm wall box
- 100-240VAC Wide input and output voltage
- Supports resistive and capacitive loads
- 1 Channel Output, Up to 400W
- Trailing edge dimming
- Input and output with screw terminals, safe and reliable
- Control ON/OFF and light intensity of connected triac dimmable led light or led driver
- Can be controlled by universal 8-230V input single wire push switch
- Radio Frequency : 2.4GHz
- Waterproof grade: IP20

## Safety and Warnings

- DO NOT install with power applied to device.
- DO NOT expose the device to moisture.

## Installation

Do wiring correctly according to connection diagram.

## Operation

### First add the dimmer to a ZigBee gateway

By factory default, the dimmer is not paired to a ZigBee gateway. The connected light is under a slow fade-in and fade-out status. If this is not the case follow the "Reset with reset button" procedure later on in this document.

- 1) From your ZigBee Gateway App choose to add a lighting device.
- 2) Short press the "Reset" button (or power cycle the dimmer) to set it into network pairing mode (slow fade-in and fade-out status). There is a 15 second timeout, you can repeat this step if needed.
- 3) After the dimmer is paired to the ZigBee gateway successfully, the connected light will blink 2 times and then stay solid on. The dimmer will appear in your gateway App menu and can be controlled.

### Pair a ZigBee remote to the dimmer (Touchlink)

Follow this procedure to control the dimmer with a compatible ZigBee remote or keypad. Make sure the dimmer is paired to the gateway before using Touchlink commissioning.

- 1) Short press the "reset" button (or power cycle the dimmer) to set the dimmer into Touchlink commissioning.
- 2) Hold the remote within 10cm of the dimmer and start Touchlink commissioning procedure. (please refer to the user manual to learn how to).
- 3) A LED on on the remote will indicate that the pairing is successfully, also the light connected to the dimmer will blink twice.

### Reset with reset button

Short press "Reset" button 5 times (or power cycle the dimmer 5 times), the connected light will blink 3 times to indicate successful reset.

### Reset through a ZigBee remote (Touch Reset)

- 1) Power on the dimmer.
- 2) Bring the remote within 10cm of the dimmer and start the Touch Reset procedure on the remote (please refer to its user manual to learn how).
- 3) A LED on on the remote will indicate that the reset is successfully.

Note: All configuration parameters will be reset after the dimmer is removed from the network.

### Set minimum brightness

The dimming range of this dimmer is 1% to 100%. Some load types may flicker when dimmed to 1%. In this case a minimum brightness can be set higher than 1%.

- 1) Adjust brightness to a desired minimum dim level from ZigBee gateway, remote control or push interface.
- 2) Short press "Min. Set" button on the dimmer. The connected load can now only be dimmable between this minimum brightness and 100% brightness.

### Delete minimum brightness

- 1) Adjust the brightness to 100% from a ZigBee gateway, remote control or push interface.
- 2) Press and hold down the "Min. Set" button on the dimmer for over 3 seconds to delete the minimum brightness.

### Control by a push switch

If a push switch is connected click the push switch to turn ON/OFF, press and hold down to increase/decrease light intensity.